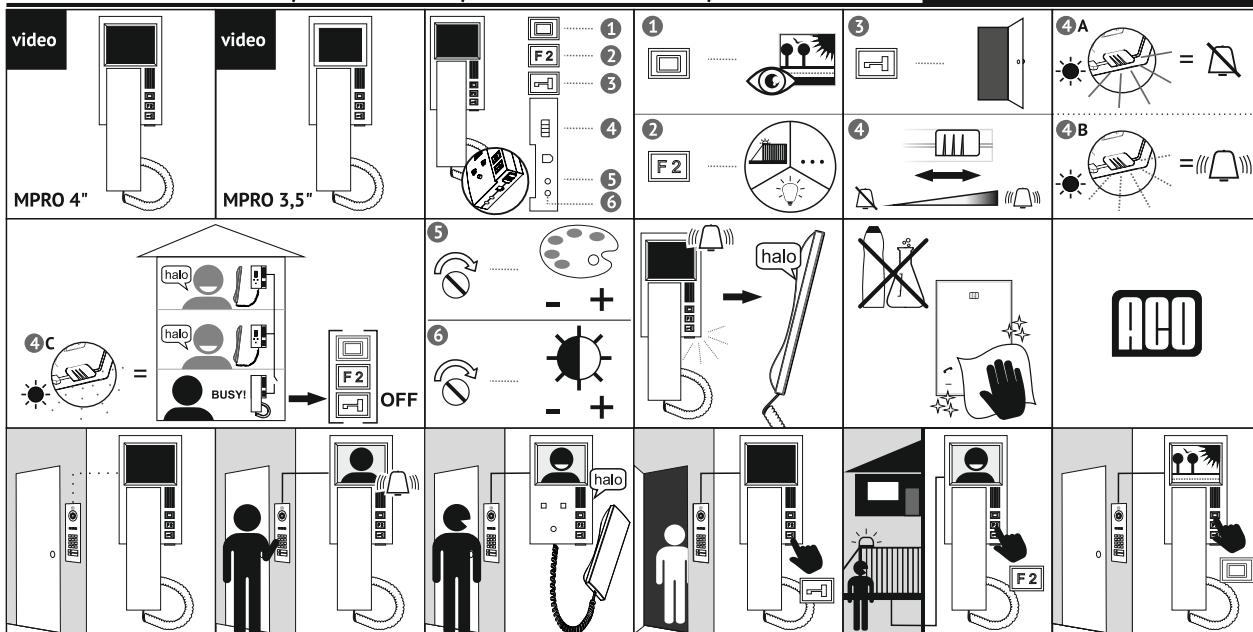


INSTRUKCJA UŻYTKOWNIKA / USER MANUAL / BENUTZERHANDBUCH / MODE D'EMPLOIE: **MPRO**



INSTRUKCJA INSTALATORA / INSTALLERS MANUAL / INSTALLATIONSANWEISUNG / L'INSTRUCTION DE L'INSTALLATEUR: **MPRO**

1	orange - white	GND	Power
2	orange	+15V	
3	green - white	GND	
4	blue	V+	Video
5	blue - white	V-	
6	green	LINE	
7	brown - white	GND	Power
8	brown	+15V	

GND = -DC Power  
+15V = +DC Power

**SET MONITOR ADDRESS**

Address: 1      Address: 3  
(1 + 2)

ON	OFF	ON	OFF	ON	OFF	ON	OFF
1	2	4	8	16	32	64	128
CODE / ADDRESS							

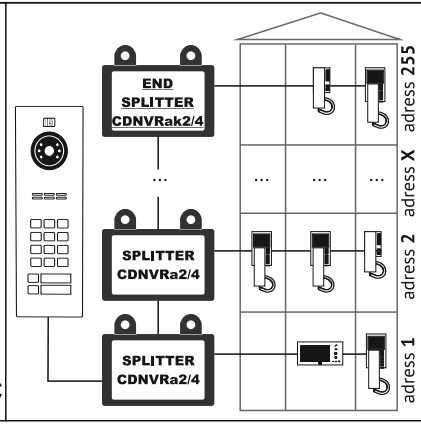
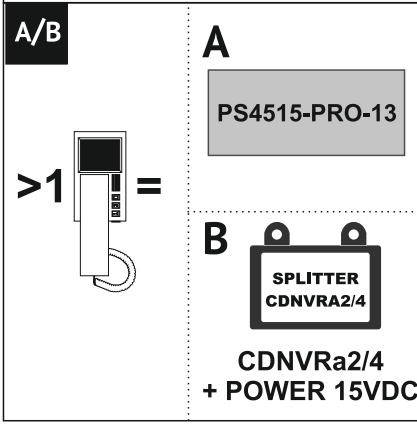
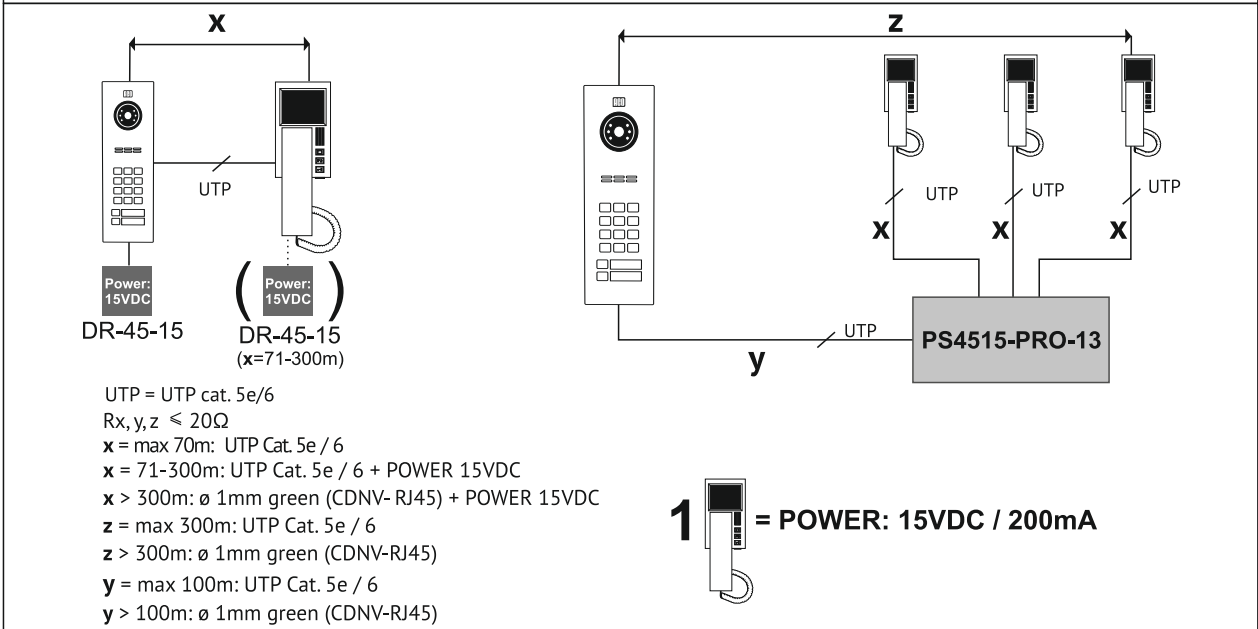
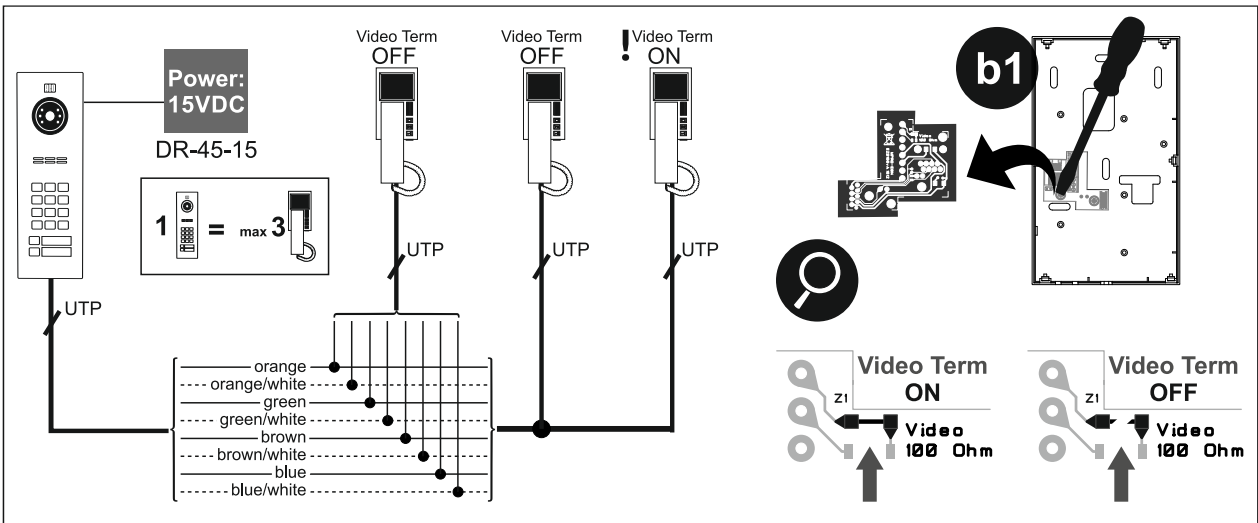
Address: 46      Address: ALL  
(2 + 4 + 8 + 32)      (0)

ON	OFF	ON	OFF	ON	OFF	ON	OFF
1	2	4	8	16	32	64	128
CODE / ADDRESS							

**SET INTERCOM ADDRESS**

11 12 11 12 11 12 11 12

ON	OFF	ON	OFF	ON	OFF	ON	OFF
1	2	3	ALL				
CODE / ADDRESS							



**ACO** familia Inspiro GDN

PRODUCENT / PRODUCER / HERSTELLER / PRODUCTEUR  
**ACO**  
 Sp. z o.o. Spółka komandytowa  
 ul. Diamentowa 7, 62-002 Suchy Las  
 Poland  
 tel./fax +48 61 843 93 71 **PL**  
 tel. +48 61 641 96 84 **EN DE**  
 biuro@aco.com.pl **PL**  
 export@aco.com.pl **EN DE**  
 www.aco.com.pl

IU0110vA.1633