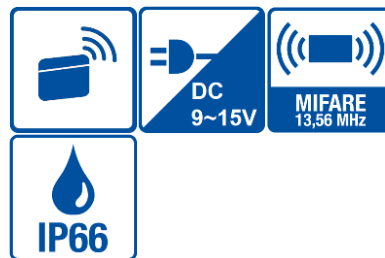
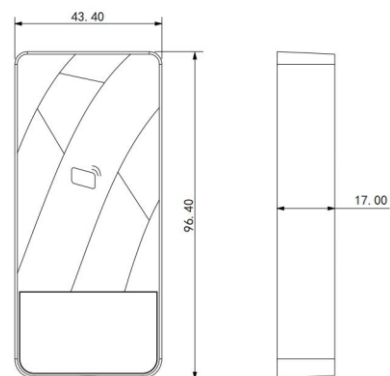


BCS-CRS-M1Z

Water-proof RFID Reader



- RFID reader
- Outside casing IP66
- Standard Mifare 13.56MHz
- Interface Wiegand 34 bit / RS-485
- Indicator led with 3 colors
- Power supply 9~15V DC



BCS-CRS-M1Z

Water-proof RFID Reader

Processor	8 bit
Read format	13.56MHz
Read range	3~6cm
Response time	<0.1s
Interface	Wiegand 34bit / RS485
Sound	buzzer
Power supply	DC 9-15V/100mA
Working environment	-30°C do +60°C RH ≤95%
Dimensions	96mm×43mm×17mm
Weight	0.1kg
Casing	Outside IP66

